

SCARLET



Scarlet is a piece of soft Eiffel, worked in garter and with two contrasting colors that give life to a whole new shade.



Yarn: EIFFEL col. 5025 Plum, col. 6691 Chestnut.

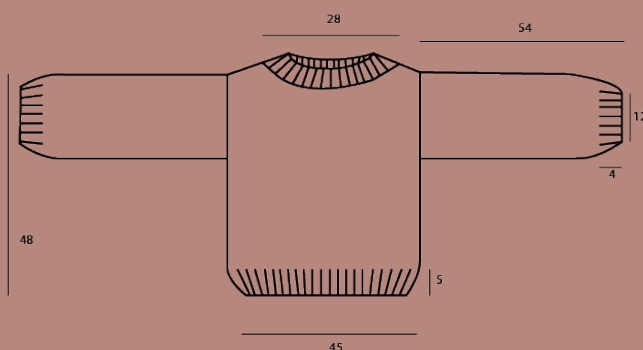
Needles: n. 8

Circourar Needles n. 8

Weight 320 g/ 11,29 oz., 7 balls col. Plum e 7 balls col. Chestnut

Size: S, M, L

Stiched Used: 2x2 Rib, Garter Stitch



Gauge: 10 cm x 10 cm (4 in. x 4 in.) = 16 stitches and 24 rows.

KNITTING THE BACK

Using needle n. 8 and the yarn worked double (1 thread col. Plum + 1 thread col. Chestnut), cast on 47 (50, 53) stitches and work in 2x2 Rib for 6 rows (8, 10). Continue in Garter Stitch.

At a total height of 29 (30, 31) cm /11,40 (11,80; 12,20) in., decrease 2 stitches per side, internally to one stitch. We will get 43 (46, 49) stitches in total. At a total height of 48 (50, 52) cm/ 18,90 (19,70; 20,40) in., bind off all stitches.

SCARLET



KNITTING THE FRONT

Using needle n. 8 and the yarn worked double (1 thread col. Plum + 1 thread col. Chestnut), cast on 47 (50, 53) stitches and work in 2x2 Rib for 6 (8, 10) rows.

Continue in Garter Stitch.

At a total height of 29 (30, 31) cm / 11,40 (11,80; 12,20) in., decrease 2 stitches per side, internally to one stitch.

We will get 43 (46, 49) stitches in total.

At a total height of 38 (39, 40) cm / 15 (15,40; 15,80) in., for the neckline, bind off the 15 (16, 17) central stitches and continue binding off, at neckline' sides, 2 stitches twice, 1 stitch twice.

At a total height of 48 (50, 52) cm / 18,90 (19,70; 20,40) in., bind off the 8 (9, 10) stitches of each shoulder.

SLEEVES

Using needle n. 8 and the yarn worked double (1 thread col. Plum + 1 thread col. Chestnut), cast on

26 (29, 32) stitches and work in 2x2 Rib for 6 (8, 10) rows.

Continue in Garter Stitch, increasing 4 stitches while making the first row. We will get a total of 30 (33, 36) stitches.

At a total height of 10 (11, 12) cm / 4 (4,30; 4,70) in., increase at sides 1 stitch every 14 rows twice, then every 10 rows twice, and every 6 rows 4 times. We will get, in total, 46 (49, 52) stitches.

After making other 14 (14, 16) rows with this number of stitches, bind off.

Make the second sleeve as the first one.

FINISHING

Sew sides and shoulders. For the neck, using circular needle n. 8 and the yarn worked double (1 thread col. Plum + 1 thread col. Chestnut), pick up 61 stitches along the entire neckline (front + back) and work in Garter Stitch for 15 (15, 17) rows, then bind off all stitches.

Fold the collar double, and sew it inside along the entire neckline.

Close underarms and apply the sleeves.

